

8-2

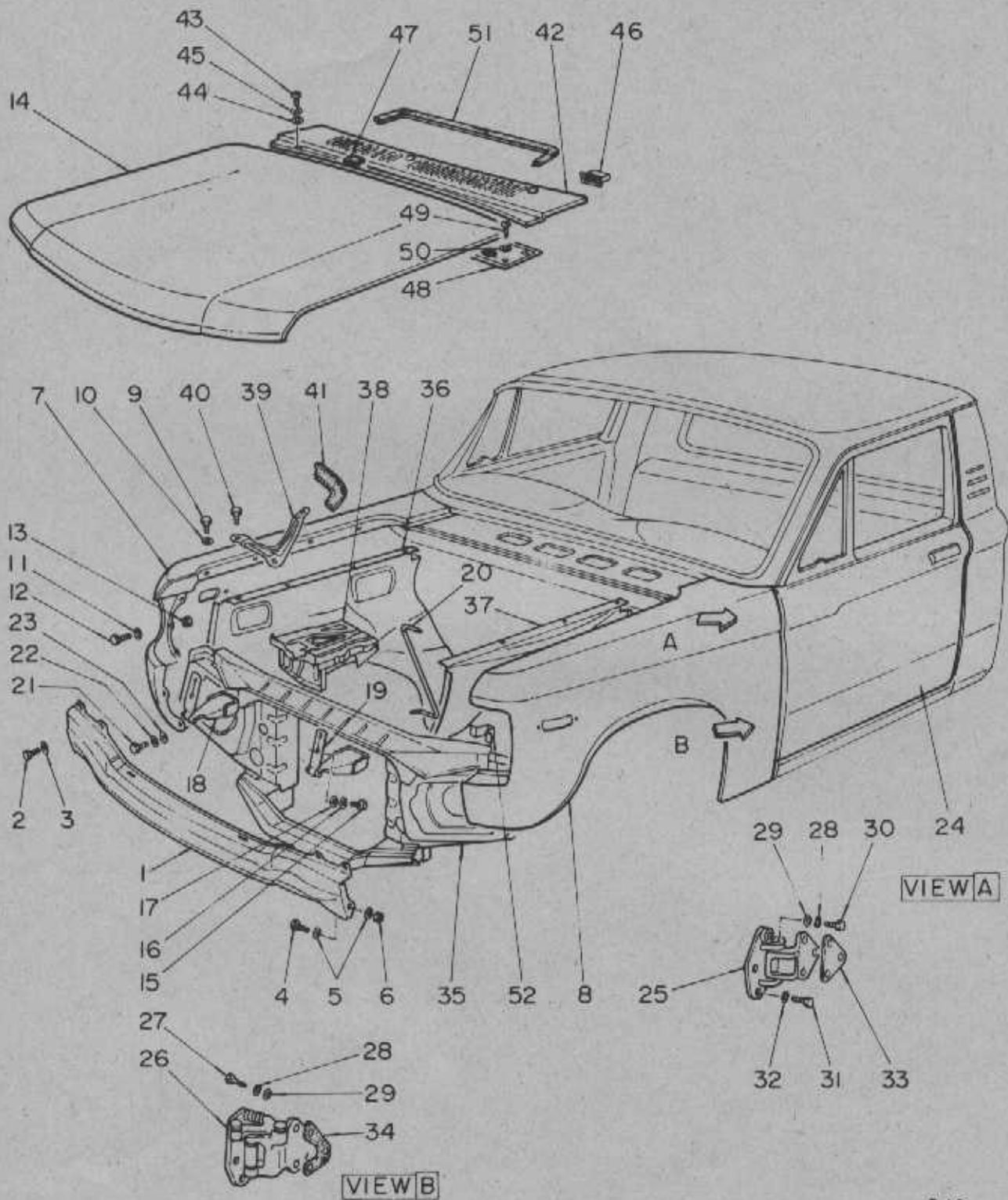
LV8-2

FRONT BODY SHEET METAL (SERIES 1,2,3,4)

FRONT BODY SHEET METAL (SERIES 1,2,3,4)

1.	7.833	PANEL (Fairing)	94023942	27.	16.325	BOLT	94021225
2.	8.900	BOLT (Ser. 1)	94002327	28.	N.S.	WASHER	
	8.900	BOLT (Ser. 2,3,4)	94002104	29.	16.325	WASHER	94021244
3.	N.S.	WASHER		30.	16.325	BOLT	94021226
4.	8.900	BOLT (Ser. 1)	94002327	31.	16.325	BOLT	94021225
	8.900	BOLT (Ser. 2,3,4)	94002312	32.	N.S.	WASHER	
5.	N.S.	WASHER		33.	16.325	WASHER	94021403
6.	8.915	NUT	94009040	34.	16.325	WASHER	94021404
7.	8.130	FENDER (R.H.)	94027046	35.	1.270	SUPPORT ASM. (Deflector Asm.)	94028033
8.	8.130	FENDER (L.H.)	94027047	36.	8.153	SKIRT (Valance Asm.)(R.H.)(Ser.1,2)	94022557
9.	8.900	BOLT (Ser. 1)	94002327		8.153	SKIRT (Valance Asm.)(R.H.)(Ser. 3)	94023313
	8.900	BOLT (Ser. 2,3,4)	94002312		8.153	SKIRT (Valance Asm.)(R.H.)(Ser. 4)	94027042
10.	N.S.	WASHER		37.	8.153	SKIRT (Valance Asm.)(L.H.)(Ser.1)	94021377
11.	N.S.	WASHER			8.153	SKIRT (Valance Asm.)(L.H.)(Ser.2,3)	94022558
12.	8.900	BOLT (Ser. 1)	94002327		8.153	SKIRT (Valance Asm.)(L.H.)(Ser.4)	94026137
	8.900	BOLT (Ser. 2,3,4)	94002105	38.	2.333	TRAY ASM.	94021375
13.	8.915	NUT	94009040	39.	2.333	BRACE (Stay)	94021539
14.	8.000	HOOD ASM.	94021374	40.	8.900	BOLT (Ser. 1)	94002327
15.	8.900	BOLT	11501872		8.900	BOLT (Ser. 2,3,4)	94002312
16.	N.S.	WASHER		41.	8.154	SHIELD (Seal)	94021388
17.	N.S.	WASHER		42.	16.125	GRILLE	94020865
18.	8.015	HINGE ASM.	94021496	43.	8.913	SCREW	94007067
19.	8.015	HINGE ASM.	94021629	44.	N.S.	WASHER	
20.	8.015	BAR	94021495	45.	N.S.	WASHER	
21.	8.900	BOLT (Ser. 1)	94002327	46.	16.125	FASTENER	94020863
	8.900	BOLT (Ser. 2,3,4)	94002108	47.	16.140	SEAL (Rubber)	94022448
22.	N.S.	WASHER		48.	16.125	STRAINER	94020864
23.	N.S.	WASHER		49.	8.913	SCREW	94007057
24.	16.150	DOOR ASM., R.H. (Ser. 1)(* 1)	94021371	50.	N.S.	WASHER	
	16.150	DOOR ASM., L.H. (Ser. 1)(* 1)	94021538	51.	16.140	SEAL	94020903
	16.150	DOOR ASM., R.H. (Ser. 2,3,- 4)(* 1)	94023366	52.	2.812	BRACKET	94023712
	16.150	DOOR ASM., L.H. (Ser.2,3,- 4)(* 1)	94023367				
25.	16.320	HINGE ASM. (R.H.)	94021399				
	16.320	HINGE ASM. (L.H.)	94021400				
26.	16.320	HINGE ASM. (R.H.)	94021401				
	16.320	HINGE ASM. (L.H.)	94021402				

NOTE 1: See catalog group 16.152 for door outer skin



8-16

LV8-16

FRONT BODY SHEET METAL (SERIES 5,6,8,9,10)

FRONT BODY SHEET METAL (SERIES 5,6,8,9,10)

1.	7.833	PANEL (Fairing)	94027045
2.	8.900	BOLT	94002312
3.	N.S.	WASHER	
4.	8.900	BOLT	94002312
5.	N.S.	WASHER	
6.	8.915	NUT	94009040
7.	8.130	FENDER, R.H. (Ser. 5,6,8,9)	94027046
	8.130	FENDER, R.H. (Ser. 10)	94029490
8.	8.130	FENDER, L.H. (Ser. 5,6,8,9)	94027047
	8.130	FENDER, L.H. (Ser. 10)	94029491
9.	8.900	BOLT	94002312
10.	N.S.	WASHER	
11.	N.S.	WASHER	
12.	8.900	BOLT	94002105
13.	8.915	NUT	94009040
14.	8.000	HOOD ASM. (Ser. 5,6)	94021374
	8.000	HOOD ASM. (Ser. 8,9,10)	94027044
15.	8.900	BOLT	11501872
16.	N.S.	WASHER	
17.	N.S.	WASHER	
18.	8.015	HINGE ASM. (R.H.)	94021496
19.	8.015	HINGE ASM. (L.H.)	94021629
20.	8.015	BAR	94021495
21.	8.900	BOLT	94002108
22.	N.S.	WASHER	
23.	N.S.	WASHER	
24.	16.150	DOOR ASM., R.H. (Ser. 5,6)(* 1)	94027448
	16.150	DOOR ASM., L.H. (Ser. 5,6)(* 1)	94027449
	16.150	DOOR ASM., R.H. (Ser. 8,9,10)(* 1)	94027227
	16.150	DOOR ASM., L.H. (Ser. 8,9,10)(* 1)	94027228
25.	16.320	HINGE ASM. (R.H.)	94021399
	16.320	HINGE ASM. (L.H.)	94021400
26.	16.320	HINGE ASM. (R.H.)	94021401
	16.320	HINGE ASM. (L.H.)	94021402
27.	16.325	BOLT	94021225
28.	N.S.	WASHER	
29.	16.325	WASHER	94021244
30.	16.325	BOLT	94021226
31.	16.325	BOLT	94021225
32.	N.S.	WASHER	
33.	16.325	WASHER	94021403
34.	16.325	WASHER	94021404
35.	1.270	SUPPORT ASM. (Deflector Asm.)	94028033
36.	8.153	SKIRT (Valance Asm.) R.H.	94027042
37.	8.153	SKIRT (Valance Asm.)(L.H.)(Ser. 5,6)	94026137
	8.153	SKIRT (Valance Asm.) L.H. (Ser. 8,9,10)	94027043
38.	2.333	TRAY ASM.	94025242
39.	2.333	BRACE (Stay)	94025241
40.	8.900	BOLT	94002312
41.	8.154	SHIELD (Seal)	94021388
42.	16.125	GRILLE (Ser. 5,6,8,9)	94020865
	16.125	GRILLE (Ser. 10)	94029893
43.	8.913	SCREW	94007067
44.	N.S.	WASHER	
45.	N.S.	WASHER	
46.	16.125	FASTENER	94020863
47.	16.140	SEAL (Rubber)	94022448
48.	16.125	STRAINER	94028690
49.	8.913	SCREW	94007057
50.	N.S.	WASHER	
51.	16.140	SEAL	94020903
52.	2.812	BRACKET (Ser. 5,6)	94023712

NOTE 1: See catalog group 16.152 for door outer skin.