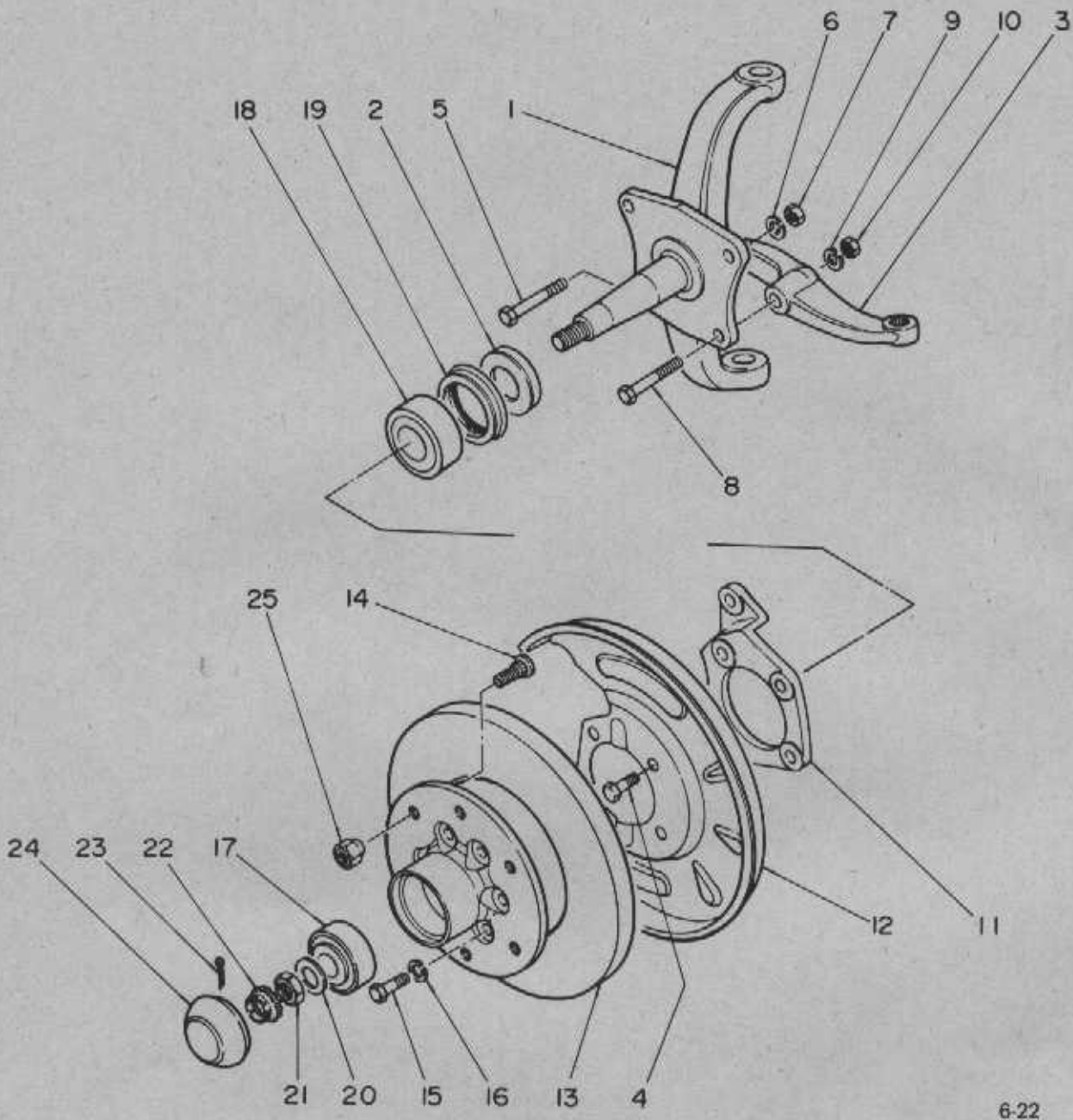


6-9

LV6-9

FRONT AXLE (SUSPENSION) KNUCKLE AND BRAKE DRUM (SERIES 2,3,4)

1.	6.020	KNUCKLE, R.H.	94021322	11.	6.307	HUB	94020622
	6.020	KNUCKLE, L.H.	94021323	12.	5.809	DRUM	94022831
2.	6.326	SPACER (Piece)	94021319	13.	8.908	SCREW	94003052
3.	6.103	ARM, R.H.	94021474	14.	5.812	BOLT (Pin)	94020626
	6.103	ARM, L.H.	94021475	15.	6.313	BEARING	94020003
4.	5.002	BOLT	94020156	16.	6.311	BEARING	94020002
5.	8.900	BOLT	11074802	17.	6.326	SEAL	94020258
6.	8.931	WASHER	94009247	18.	6.022	WASHER	94020204
7.	8.915	NUT	94009013	19.	6.022	NUT	94020185
8.	8.900	BOLT	94001030	20.	6.022	NUT	94020625
9.	N.S.	WASHER		21.	8.938	COTTER PIN	94008132
10.	8.915	NUT	94009043	22.	6.330	CAP	94020623
				23.	5.813	NUT	94020627



6-22

LV6-22

FRONT AXLE (SUSPENSION) KNUCKLE AND BRAKE DISC (SERIES 5,6,8,9,10) (EXC. 4 WHEEL DRIVE)

LV6-22

**FRONT AXLE (SUSPENSION) KNUCKLE AND BRAKE DISC (SERIES 5,6,8,9,10) (EXC. 4
WHEEL DRIVE)**

1.	6.020	KNUCKLE, R.H.	94021322
	6.020	KNUCKLE, L.H.	94021323
2.	6.326	SPACER (Piece)	94021319
3.	6.103	ARM, R.H.	94021474
	6.103	ARM, L.H.	94021475
4.	5.002	BOLT	94025148
5.	8.900	BOLT	11074802
6.	8.931	WASHER	94009247
7.	8.915	NUT	94009042
8.	8.900	BOLT	94001557
9.	N.S.	WASHER	
10.	8.915	NUT	94009043
11.	5.001	BRACKET, R.H.	94025192
	5.001	BRACKET, L.H.	94025193
12.	5.002	SHIELD, R.H.	94025170
	5.002	SHIELD, L.H.	94025171
13.	5.809	DISC ASM.	94025189
14.	5.812	BOLT	94025172
15.	5.812	BOLT	94025148
16.	N.S.	WASHER	
17.	6.313	BEARING	94020003
18.	6.311	BEARING	94020002
19.	6.326	SEAL	94020258
20.	6.022	WASHER	94020204
21.	6.022	NUT	94020186
22.	6.022	NUT	94020625
23.	8.938	COTTER PIN	94008132
24.	6.330	CAP	94020623
25.	5.813	NUT	94020627