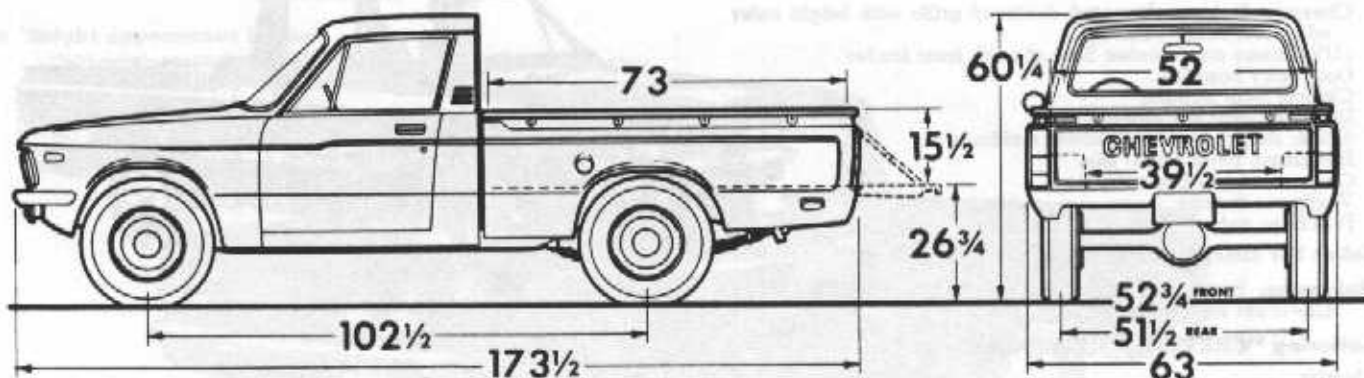


LUV PICKUP

(SERIES 4)



Model	Engine No. Cyl.	Curb Weight (lb)			Model Weights (lb)*			Ground Clearance (in)★
		Front	Rear	Total	Front	Rear	Total†	Minimum
CL10503	4	1370	1120	2490	1535	1255	2940	8.1

★ Dimensions with standard equipment, unloaded

* Model Weights include curb weight plus occupants (standard seating capacity x 150 lbs.)

† Total also includes 150 lbs minimum payload allowance

GVW SELECTOR

‡Maximum Ratings			Minimum Equipment Required for GVW Rating		
GVW Rating (lb)	▲ GAWR (lb)		Tires, Front	Tires, Rear	Chassis Equipment
	Front	Rear			
3950	1660	2650	6.00-14C (6PR)	6.00-14C (6PR)	Standard

‡ GAWR's shown are the maximum for each axle. When ordering a truck, the total of the actual weight on both front and rear axles cannot exceed the total GVW rating.

▲ GAWR—Gross Axle Weight Rating